

2019

TECHNICAL GUIDE



eze//
breeze®



e/k

TABLE OF CONTENTS

| | |
|--|----|
| General Specifications..... | 4 |
| Vertical 4-Track (4V60)..... | 8 |
| Horizontal Side Slider (SS10)..... | 11 |
| Side Slider Garage Door Screen (SS30)..... | 13 |
| Size Chart (SS10/SS30)..... | 15 |
| Heavy Duty Lip Frame Fixed Lite (HLF20)..... | 16 |
| Standard Lip Frame Fixed-Lite (LF20)..... | 17 |
| Removable Vent Fixed Lite (RV20)..... | 18 |
| Cabana Door (CD90)..... | 19 |

GENERAL SPECIFICATIONS

PERFORMANCE

- Transforms porches, patios, garages, and more into your customers' new favorite spaces
- Uses vinyl-glazed panels that are remarkably strong, shatterproof, and flexible
- Floor to ceiling views and ventilation
- Creates beautiful indoor/outdoor living for any homeowner's style
- Vents can be removed in seconds for easy cleaning
- Provides a barrier against outdoor pests
- Easy operation thanks to corrosion-resistant wheels
- Eliminates 99% of harmful UV rays
- Consumers choose their level of privacy with various options

ENERGY PERFORMANCE

- Shade and reduced solar heat gain
- Reduction of extreme heat, cold, and humidity

CONTINUOUS PROTECTION

- Works well in hot and cold climates

FEATURES

- Custom built to meet any style
- Easy to operate and very low maintenance
- Durable aluminum framing
- Light weight and customizable

RESIDENTIAL WARRANTY

- Lifetime frame warranty*
- 10-year warranty on vinyl, screens, and moving parts*

** Some restrictions may apply. Refer to full Eze-Breeze warranty for complete details.*

STYLES

- Vertical 4-Track
- Horizontal Side Slider
- Side Slider Garage Door Screen
- Standard Fixed Lite Lip Frame and Trapezoid
- Heavy Duty Fixed Lite Lip Frame and Trapezoid
- Removable Vent Fixed Lite
- Cabana Door

FRAMES:

- Heavy-duty extruded aluminum
- Outside Mount (OSM): Mounted from the outside; installation flange on the exterior side of the opening
- Inside Mount (ISM): Mounted from the inside; installation flange on the interior side of the opening

FRAME COLORS

- Standard: White
- Optional: Bronze, Beige

VINYL COLORS

- Standard: Clear
- Optional: Smoke Gray, Bronze, Dark Gray

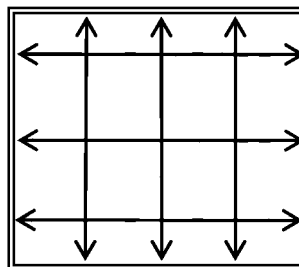
SCREEN MESH AND COLORS

- Standard: 1814 Charcoal
- Optional: 1814 Gray, 1816 Charcoal, 1816 Gray, 2020 Charcoal, 2020 Gray, Charcoal SunScreen®, White Sunscreen®, BetterVue® Charcoal

SIZE INFORMATION

Measuring:

- We recommend that at least three (3) measurements be taken on the width and height of the opening
- When placing your order, give the smallest recorded measurement for both width and height

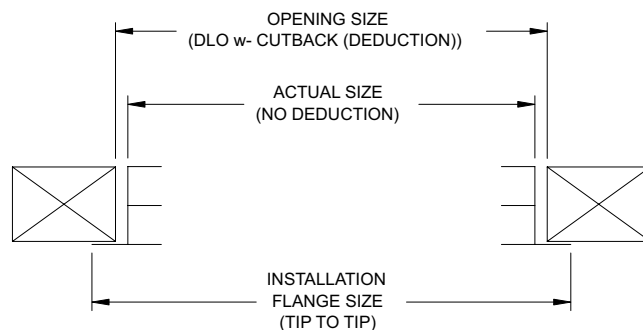


Ordering:

- “Opening Size” measurement is preferred
- All sizes must be given width x height in inches

Size Selection (varies by product):

| | |
|--|---|
| Opening size with 1/8” cutback (deduction) | Size of the finished opening; product will be manufactured 1/8” smaller in width & height |
| Opening size with 1/4” cutback (deduction) | Size of the finished opening; product will be manufactured 1/4” smaller in width & height |
| Opening size with 3/8” cutback (deduction) | Size of the finished opening; product will be manufactured 3/8” smaller in width & height |
| Actual window size with no cutback (no deductions) | Actual unit size not including the installation flange; product will be manufactured to this size |

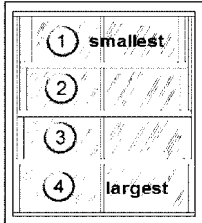


GENERAL SPECIFICATIONS

VENT INFORMATION

Identifying Vertical 4-Track Vents

Vents are numbered 1-4 starting at the top



Vent #1 - smallest in width and located in the outermost track

Vent #2 - located in the 2nd track from the exterior

Vent #3 - located in the 3rd track from the exterior

Vent #4 - largest in width and located in the innermost track

Identifying Side Slider Vents and Tracks:

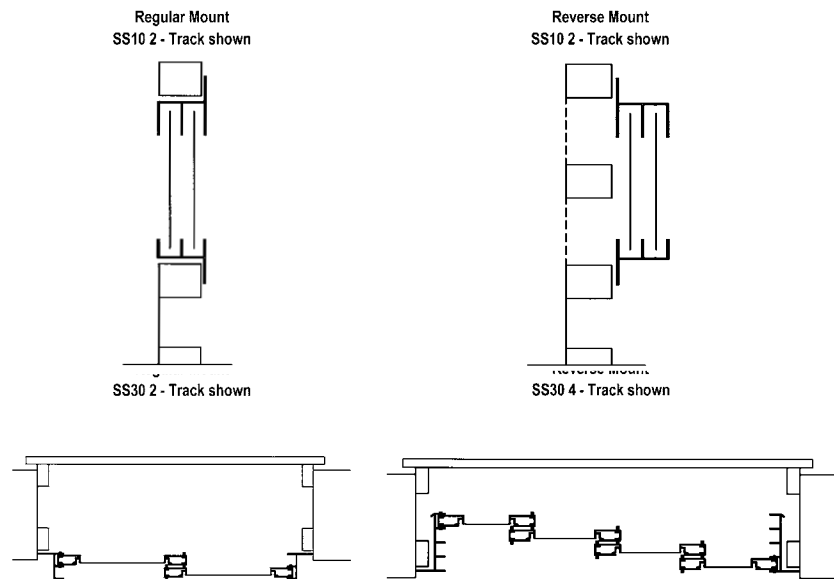
Vents are numbered left to right from the inside-looking-out. Tracks are lettered A - D from inside-looking-out.

MOUNTING INFORMATION

Inside Mount Horizontal Side Sliders:

Regular Mount: Weepholes are located on the opposite side of the flange

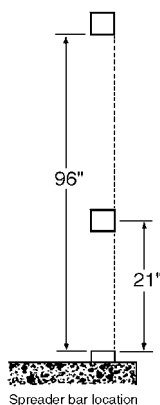
Reverse Mount: Weepholes are located on the same side as the flange



SPREADERBAR INFORMATION

Identifying Side Slider spreader bar location

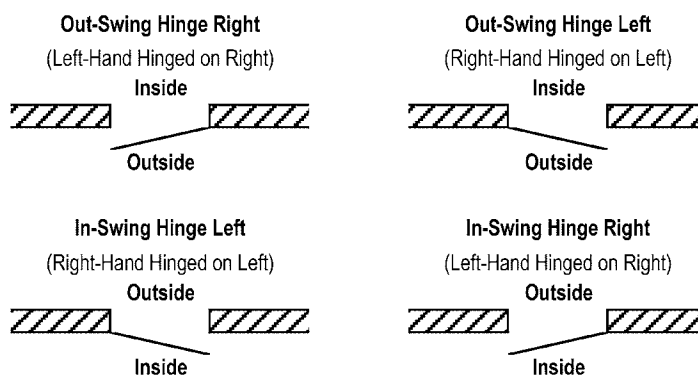
Measure from the bottom of the opening to the center of the spreader bar



DOOR INFORMATION

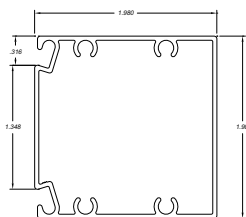
Cabana Door Hinge and Swing

All doors are viewed from the direction of swing



2 x 2 MULL POST

Aluminum post for mulling Eze-Breeze products together. Available in 16' stock lengths.



TRANSPORTATION

Products delivered by 3rd-party carrier may have size limitations. Consult your Eze-Breeze representative for details.

Note: Eze-Breeze reserves the right to change material design and/or construction without notice or liability.

VERTICAL 4-TRACK (4V60)

FEATURES:

- 1" nominal front flange
- 2" nominal frame depth
- Glazed with 10-mil clear vinyl
- Outside mount or inside mount frame
- Equal interlocking vents
- Tilt in, removable vents
- Spreader bar(s)
- 1814 charcoal screen rolled-in frame - Outside mount

OPTIONS:

- 2-, 3-, and 4-vent configurations
- Custom sizes with or without deduction
- Mixed vinyl color in vents
- Lipframe screen attached to frame - Inside mount

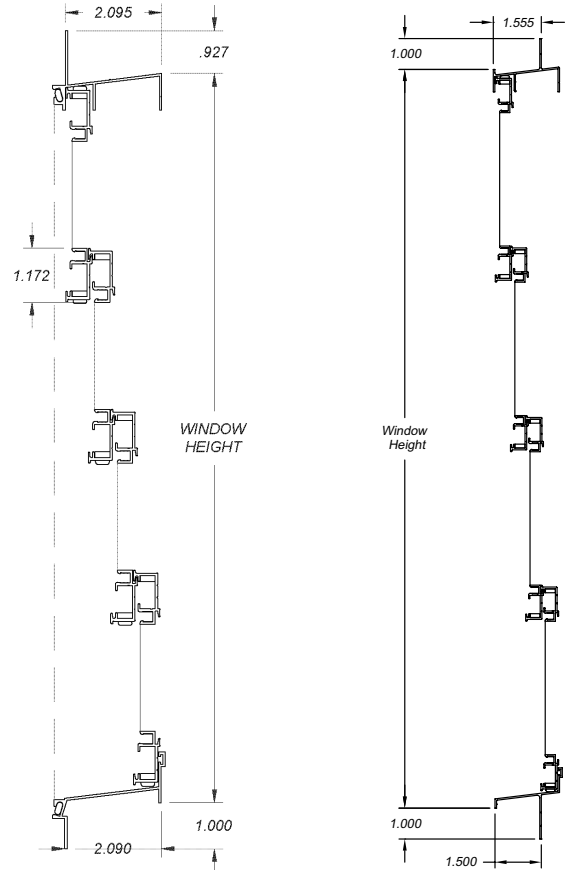
SIZING

Outside Mount Frame:

- Standard: Opening size with 1/8" deduction in width and height
- Option: Opening size with 1/4" deduction in width and height
- Option: Actual unit size without deductions

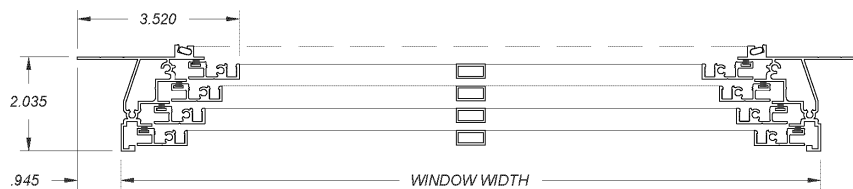
Inside Mount Frame:

- Standard: Opening size with 3/8" deduction in width and height
- Option: Actual unit size without deductions

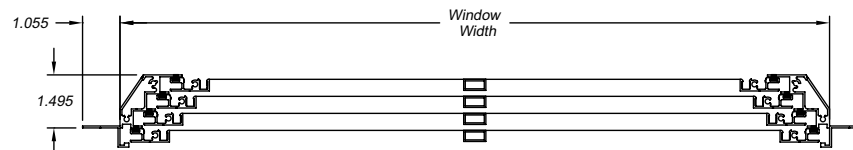


OUTSIDE MOUNT FRAME

INSIDE MOUNT FRAME

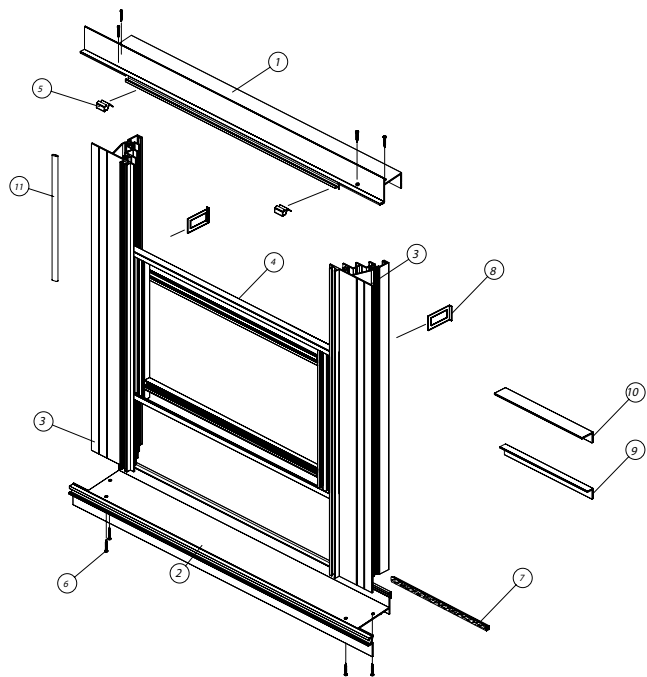


OUTSIDE MOUNT FRAME



INSIDE MOUNT FRAME

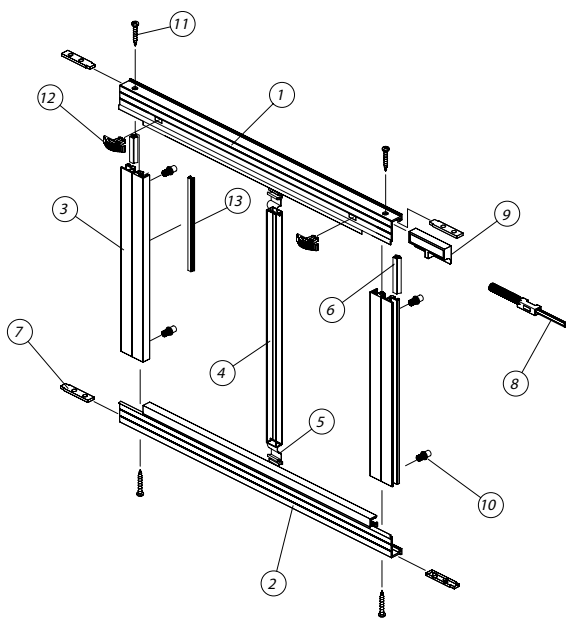
VERTICAL 4-TRACK OUTSIDE MOUNT FRAME - SINGLE



ITEM # DESCRIPTION

- 1 Frame Head
- 2 Frame Sill
- 3 Frame Jamb
- 4 Vertical 4-Track Vent (assembled)
- 5 Top Track Vent Clip
- 6 Frame Assembly Screws
- 7 Frame Sill Weatherstrip
- 8 Installation Clip
- 9 4T3V - Track Filler Angle (1/2" x 3/4")
- 10 4T2V - Track Filler Angle (1" x 1")
- 11 Flat Spline

VERTICAL 4-TRACK VENT ASSEMBLY



ITEM # DESCRIPTION

- 1 Vent Head
- 2 Vent Sill
- 3 Vent Jamb
- 4 Spreader Bar
- 5 Spreader Bar Clip
- 6 Vent Jamb Weatherstrip
- 7 Vent Spacer
- 8 Slide Bolt Assembly (slide bolt & spring)
- 9 Slide Bolt Stop Block
- 10 Spring Cap Assembly
- 11 Vent Assembly Screw
- 12 Thumb Latch
- 13 Rigid V-Spline (vents)

VERTICAL 4-TRACK (4V60)

| VERTICAL 4-TRACK SINGLE UNIT | | OPENING WIDTH (INCHES) | | | | | | | | | | | | |
|------------------------------|------------------|---|----------------------------|----------------------------|----------------------------|----------------------------|----------------------------|----------------------------|----------------------------|----------------------------|----------------------------|----------------------------|----------------------------|---------------|
| | | OSM ISM | 12 12 1/4 | 18 18 1/4 | 24 24 1/4 | 30 30 1/4 | 36 36 1/4 | 42 42 1/4 | 48 48 1/4 | 54 54 1/4 | 60 60 1/4 | 66 66 1/4 | 72 1/8 72 3/8 | |
| | | ACTUAL WIDTH (INCHES) USING STANDARD DEDUCTIONS | | | | | | | | | | | | |
| OPENING HEIGHT (INCHES) | OSM ISM | ACTUAL SIZES | 11 7/8 | 17 7/8 | 23 7/8 | 29 7/8 | 35 7/8 | 41 7/8 | 47 7/8 | 53 7/8 | 59 7/8 | 65 7/8 | 72 | |
| | 24 24 1/4 | 23 7/8 | 2 Vent 3 Vent 4 Vent | 2 Vent 3 Vent 4 Vent | 2 Vent 3 Vent 4 Vent | 2 Vent 3 Vent 4 Vent | 2 Vent 3 Vent 4 Vent | 2 Vent 3 Vent 4 Vent | 2 Vent 3 Vent 4 Vent | 2 Vent 3 Vent 4 Vent | 2 Vent 3 Vent 4 Vent | 2 Vent 3 Vent 4 Vent | 2 Vent 3 Vent 4 Vent | |
| | 30 30 1/4 | 29 7/8 | 2 Vent 3 Vent 4 Vent | 2 Vent 3 Vent 4 Vent | 2 Vent 3 Vent 4 Vent | 2 Vent 3 Vent 4 Vent | 2 Vent 3 Vent 4 Vent | 2 Vent 3 Vent 4 Vent | 2 Vent 3 Vent 4 Vent | 2 Vent 3 Vent 4 Vent | 2 Vent 3 Vent 4 Vent | 2 Vent 3 Vent 4 Vent | 2 Vent 3 Vent 4 Vent | |
| | 36 36 1/4 | 35 7/8 | 2 Vent 3 Vent 4 Vent | 2 Vent 3 Vent 4 Vent | 2 Vent 3 Vent 4 Vent | 2 Vent 3 Vent 4 Vent | 2 Vent 3 Vent 4 Vent | 2 Vent 3 Vent 4 Vent | 2 Vent 3 Vent 4 Vent | 2 Vent 3 Vent 4 Vent | 2 Vent 3 Vent 4 Vent | 2 Vent 3 Vent 4 Vent | 2 Vent 3 Vent 4 Vent | |
| | 42 42 1/4 | 41 7/8 | 2 Vent 3 Vent 4 Vent | 2 Vent 3 Vent 4 Vent | 2 Vent 3 Vent 4 Vent | 2 Vent 3 Vent 4 Vent | 2 Vent 3 Vent 4 Vent | 2 Vent 3 Vent 4 Vent | 2 Vent 3 Vent 4 Vent | 2 Vent 3 Vent 4 Vent | 2 Vent 3 Vent 4 Vent | 2 Vent 3 Vent 4 Vent | 2 Vent 3 Vent 4 Vent | |
| | 48 48 1/4 | 47 7/8 | 2 Vent 3 Vent 4 Vent | 2 Vent 3 Vent 4 Vent | 2 Vent 3 Vent 4 Vent | 2 Vent 3 Vent 4 Vent | 2 Vent 3 Vent 4 Vent | 2 Vent 3 Vent 4 Vent | 2 Vent 3 Vent 4 Vent | 2 Vent 3 Vent 4 Vent | 2 Vent 3 Vent 4 Vent | 3 Vent 4 Vent | 3 Vent 4 Vent | |
| | 54 54 1/4 | 53 7/8 | 2 Vent 3 Vent 4 Vent | 2 Vent 3 Vent 4 Vent | 2 Vent 3 Vent 4 Vent | 2 Vent 3 Vent 4 Vent | 2 Vent 3 Vent 4 Vent | 2 Vent 3 Vent 4 Vent | 2 Vent 3 Vent 4 Vent | 2 Vent 3 Vent 4 Vent | 3 Vent 4 Vent | 3 Vent 4 Vent | 3 Vent 4 Vent | |
| | 60 60 1/4 | 59 7/8 | 2 Vent 3 Vent 4 Vent | 2 Vent 3 Vent 4 Vent | 2 Vent 3 Vent 4 Vent | 2 Vent 3 Vent 4 Vent | 2 Vent 3 Vent 4 Vent | 2 Vent 3 Vent 4 Vent | 2 Vent 3 Vent 4 Vent | 2 Vent 3 Vent 4 Vent | 3 Vent 4 Vent | 3 Vent 4 Vent | 3 Vent 4 Vent | |
| | 60 1/2 60 3/4 | 60 3/8 | 2 Vent 3 Vent 4 Vent | 2 Vent 3 Vent 4 Vent | 2 Vent 3 Vent 4 Vent | 2 Vent 3 Vent 4 Vent | 2 Vent 3 Vent 4 Vent | 2 Vent 3 Vent 4 Vent | 2 Vent 3 Vent 4 Vent | 2 Vent 3 Vent 4 Vent | 3 Vent 4 Vent | 3 Vent 4 Vent | 3 Vent 4 Vent | 4 Vent |
| | 66 66 1/4 | 65 7/8 | 3 Vent 4 Vent | 3 Vent 4 Vent | 3 Vent 4 Vent | 3 Vent 4 Vent | 3 Vent 4 Vent | 3 Vent 4 Vent | 3 Vent 4 Vent | 3 Vent 4 Vent | 3 Vent 4 Vent | 3 Vent 4 Vent | 3 Vent 4 Vent | 4 Vent |
| | 72 72 1/4 | 71 7/8 | 3 Vent 4 Vent | 3 Vent 4 Vent | 3 Vent 4 Vent | 3 Vent 4 Vent | 3 Vent 4 Vent | 3 Vent 4 Vent | 3 Vent 4 Vent | 3 Vent 4 Vent | 3 Vent 4 Vent | 3 Vent 4 Vent | 4 Vent | 4 Vent |
| | 78 78 1/4 | 77 7/8 | 3 Vent 4 Vent | 3 Vent 4 Vent | 3 Vent 4 Vent | 3 Vent 4 Vent | 3 Vent 4 Vent | 3 Vent 4 Vent | 3 Vent 4 Vent | 3 Vent 4 Vent | 3 Vent 4 Vent | 4 Vent | 4 Vent | 4 Vent |
| | 84 84 1/4 | 83 7/8 | 3 Vent 4 Vent | 3 Vent 4 Vent | 3 Vent 4 Vent | 3 Vent 4 Vent | 3 Vent 4 Vent | 3 Vent 4 Vent | 3 Vent 4 Vent | 3 Vent 4 Vent | 3 Vent 4 Vent | 4 Vent | 4 Vent | 4 Vent |
| | 89 7/8 90 1/8 | 89 3/4 | 3 Vent 4 Vent | 3 Vent 4 Vent | 3 Vent 4 Vent | 3 Vent 4 Vent | 3 Vent 4 Vent | 3 Vent 4 Vent | 3 Vent 4 Vent | 3 Vent 4 Vent | 4 Vent | 4 Vent | 4 Vent | Not Available |
| | 90 90 1/4 | 89 7/8 | 4 Vent | 4 Vent | 4 Vent | 4 Vent | 4 Vent | 4 Vent | 4 Vent | 4 Vent | 4 Vent | 4 Vent | 4 Vent | Not Available |
| | 96 96 1/4 | 95 7/8 | 4 Vent | 4 Vent | 4 Vent | 4 Vent | 4 Vent | 4 Vent | 4 Vent | 4 Vent | 4 Vent | 4 Vent | Not Available | Not Available |
| | 102 102 1/4 | 101 7/8 | 4 Vent | 4 Vent | 4 Vent | 4 Vent | 4 Vent | 4 Vent | 4 Vent | 4 Vent | 4 Vent | 4 Vent | Not Available | Not Available |
| 106 106 1/4 | 105 7/8 | 4 Vent | 4 Vent | 4 Vent | 4 Vent | 4 Vent | 4 Vent | 4 Vent | 4 Vent | 4 Vent | Not Available | Not Available | Not Available | |
| 113 1/8 113 3/8 | 113 | 4 Vent | 4 Vent | 4 Vent | 4 Vent | 4 Vent | 4 Vent | 4 Vent | 4 Vent | 4 Vent | Not Available | Not Available | Not Available | |

To use this chart with twin and triple units do the following:
 Twin unit: divide opening width by 2 then locate that size on the chart above
 Triple unit: divide opening width by 3 then locate that size on the chart above

HORIZONTAL SIDE SLIDER (SS10)

FEATURES:

- 7/8" nominal front flange - Outside mount frame
- 1-1/8" front flange - Inside mount frame
- 2-track frame depth 1-5/8"
- 4-track frame depth 3-3/8"
- Sill with flange
- Glazed with 10-mil clear vinyl
- Outside mount or inside mount frame
- Equal removable vents
- Factory installed swivel latches
- Neoprene rollers
- Spreader bar(s)
- 1814 charcoal screen rolled-in frame

OPTIONS:

- Configurations with up to 10 vents
- Custom sizes with or without deduction
- Mixed vinyl color in vents
- Unequal vents
- Pull handle
- Standard or reverse stack

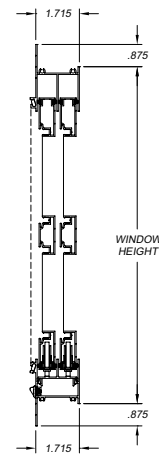
SIZING

Outside Mount Frame:

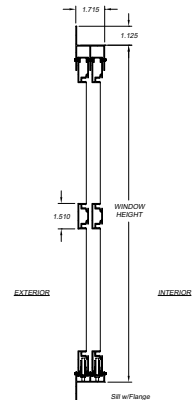
- Standard: Opening size with 1/8" deduction in width and height
- Option: Opening size with 1/4" deduction in width and height
- Option: Actual unit size without deductions

Inside Mount Frame:

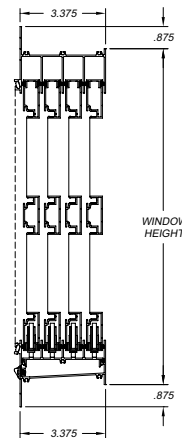
- Standard: Opening size with 3/8" deduction in width and height
- Option: Actual unit size without deductions



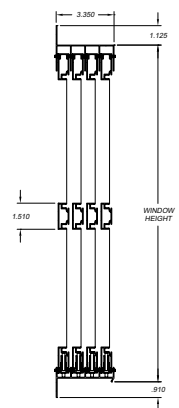
**OUTSIDE MOUNT
FRAME - 2-TRACK**



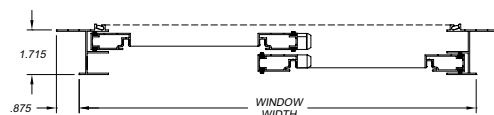
**INSIDE MOUNT
FRAME - 2-TRACK**



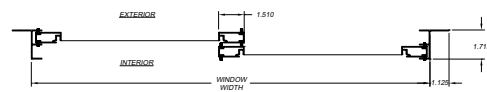
**OUTSIDE MOUNT
FRAME - 4-TRACK**



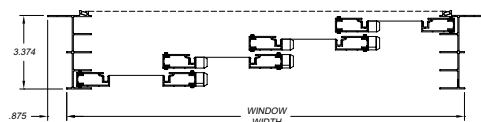
**INSIDE MOUNT
FRAME - 4-TRACK**



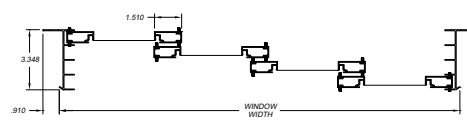
**OUTSIDE MOUNT
FRAME - 2-TRACK**



**INSIDE MOUNT
FRAME - 2-TRACK**



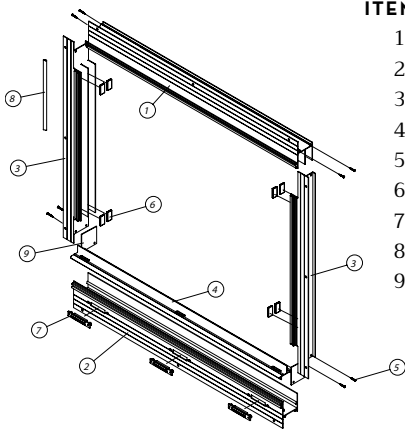
**OUTSIDE MOUNT
FRAME - 4-TRACK**



**INSIDE MOUNT
FRAME - 4-TRACK**

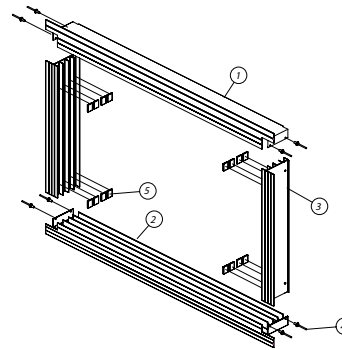
HORIZONTAL SIDE SLIDER (SS10)

OUTSIDE MOUNT FRAME - 2-TRACK SHOWN



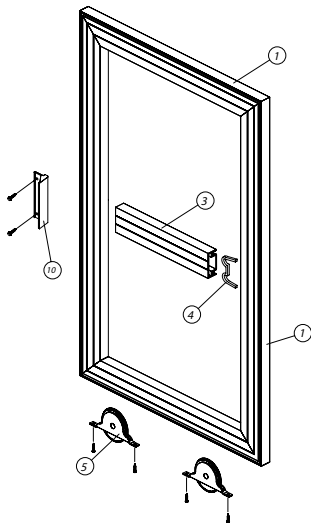
| ITEM # | DESCRIPTION |
|--------|----------------------|
| 1 | Frame Head |
| 2 | Frame Sill |
| 3 | Frame Jamb |
| 4 | Track Cover |
| 5 | Frame Assembly Screw |
| 6 | Main Frame Bumper |
| 7 | Weephole Cover |
| 8 | Flat Spine |
| 9 | 2-Track Sill Gasket |

INSIDE MOUNT FRAME - 4-TRACK SHOWN



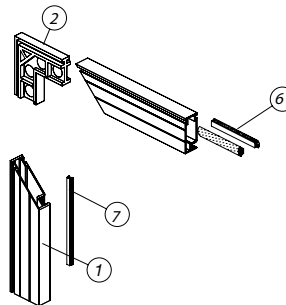
| ITEM # | DESCRIPTION |
|--------|----------------------|
| 1 | Frame Head |
| 2 | Frame Sill |
| 3 | Frame Jamb |
| 4 | Frame Assembly Rivet |
| 5 | Main Frame Bumper |

HORIZONTAL SIDE SLIDER VENT ASSEMBLY

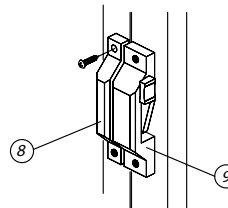


| ITEM # | DESCRIPTION |
|--------|---------------------------|
| 1 | Vent Head, Sill, and Jamb |
| 2 | Corner Key |
| 3 | Spreader Bar |
| 4 | Spreader Bar Clip |
| 5 | Neoprene Wheels |
| 6 | Vent Weatherstrip |
| 7 | Rigid V-spline |
| 8 | Swivel Latch Keeper |
| 9 | Swivel Latch |
| 10 | Pull Handle (Optional) |

VENT CORNER ASSEMBLY



LATCH ASSEMBLY



SIDE SLIDER GARAGE DOOR SCREEN (SS30)

FEATURES:

- 1-1/8" front flange
- 2-track frame depth 1-5/8"
- 4-track frame depth 3-3/8"
- Sill without flange and threshold both sides
- Glazed with 1814 charcoal screen mesh
- Inside mount frame
- Equal removable vents
- Factory installed thumb pulls
- Neoprene rollers
- Spreader bar(s)

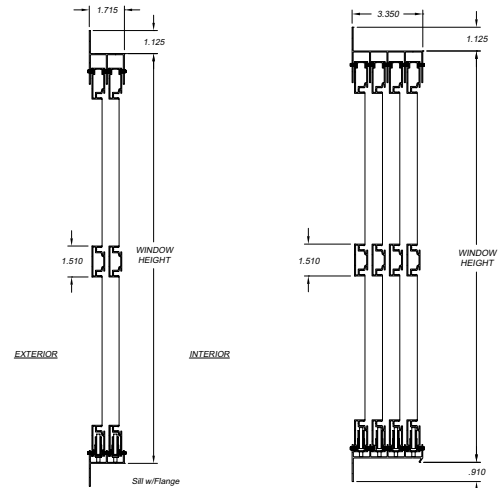
OPTIONS:

- Configurations with up to 10 vents
- Custom sizes with or without deduction
- Kickplate 8", 12", or 16"
- Unequal vents
- Glazed with 10-mil vinyl
- Pull handle
- Factory installed swivel latches
- Standard or reverse stack
- Regular or reverse mounting

SIZING

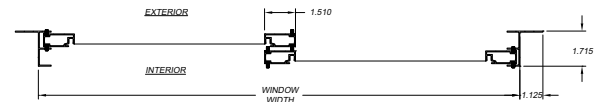
Inside Mount Frame:

- Standard: Opening size with 3/8" deduction in width and height
- Option: Actual unit size without deductions

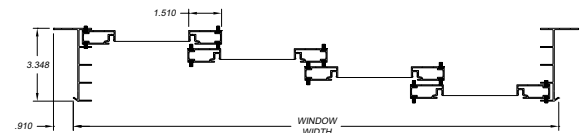


**INSIDE MOUNT
FRAME - 2-TRACK**

**INSIDE MOUNT
FRAME - 4-TRACK**



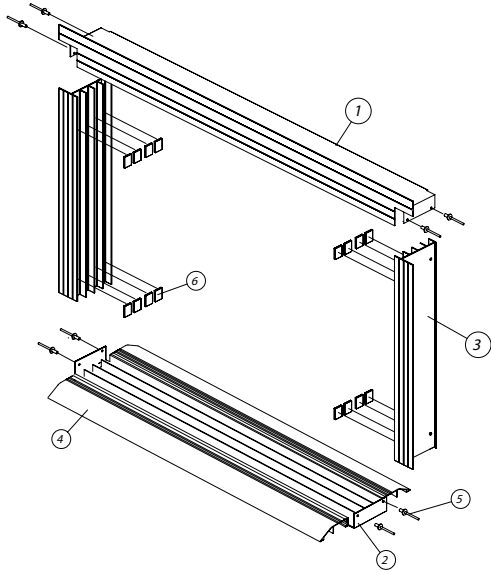
**INSIDE MOUNT
FRAME - 2-TRACK**



**INSIDE MOUNT
FRAME - 4-TRACK**

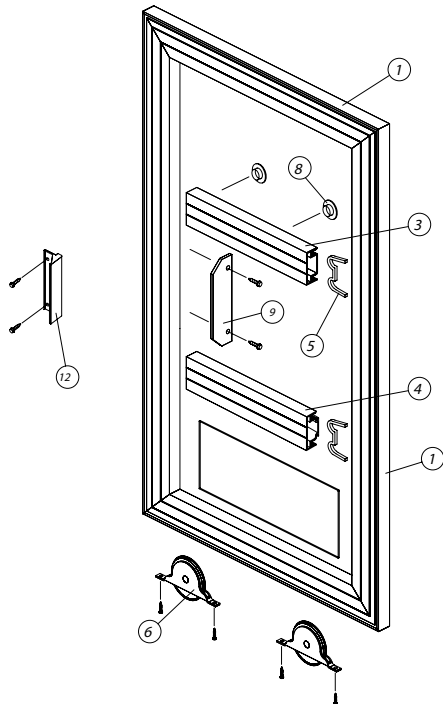
SIDE SLIDER GARAGE DOOR SCREEN (SS30)

INSIDE MOUNT FRAME - 4-TRACK SHOWN



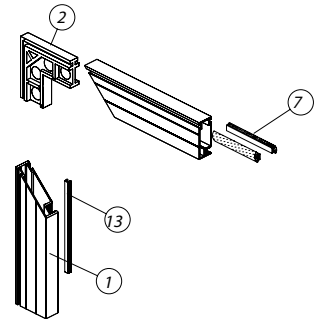
| ITEM # | DESCRIPTION |
|--------|----------------------|
| 1 | Frame Head |
| 2 | Frame Sill |
| 3 | Frame Jamb |
| 4 | Threshold |
| 5 | Frame Assembly Rivet |
| 6 | Main Frame Bumper |

SIDE SLIDER GARAGE DOOR SCREEN VENT ASSEMBLY

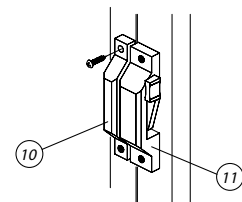


| ITEM # | DESCRIPTION |
|--------|---------------------------------|
| 1 | Vent Head, Sill, and Jamb |
| 2 | Corner Key |
| 3 | Spreader Bar |
| 4 | Spreader Bar w/Kickplate Groove |
| 5 | Spreader Bar Clip |
| 6 | Neoprene Wheels |
| 7 | Vent Weatherstrip |
| 8 | Thumb Pull |
| 9 | Come-Along |
| 10 | Swivel Latch Keeper |
| 11 | Swivel Latch |
| 12 | Pull Handle (Optional) |
| 13 | Rigid V-Spline (Vents) |

VENT CORNER ASSEMBLY



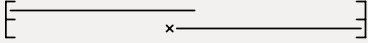
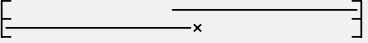
LATCH ASSEMBLY



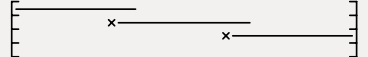
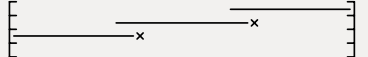
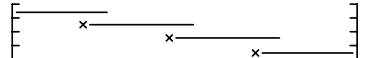
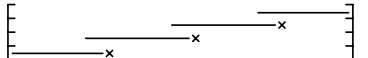
SIZE CHART

(SS10 / SS30)

2-TRACK UNIT CONFIGURATIONS

| VENT QTY/CONFIGURATION | STANDARD VENT STACK | REVERSE VENT STACK | OPENING SIZES | |
|-------------------------------|---|--|--|---|
| 2 Vent 2T2V Stacked |  |  | Min (Vinyl / Screen) Max w/Vinyl Vents Max w/Screen Vents | 24" x 10" 108" x 108" 120" x 108" |

4-TRACK UNIT CONFIGURATIONS

| VENT QTY/CONFIGURATION | STANDARD VENT STACK | REVERSE VENT STACK | OPENING SIZES | |
|-------------------------------|---|--|--|---|
| 3 Vent 4T3V Stacked |  |  | Min (Vinyl / Screen) Max w/Vinyl Vents Max w/Screen Vents | 36" x 10" 162" x 108" 180" x 108" |
| 4 Vent 4T4V Stacked |  |  | Min (Vinyl / Screen) Max w/Vinyl Vents Max w/Screen Vents | 48" x 10" 216" x 108" 240" x 108" |

SS10 & SS30 inside mount units that exceed 192" actual unit width will be spliced.
 Configurations available up to 10 vents. Contact your Customer Care Representative for additional information.

HEAVY DUTY LIP FRAME FIXED LITE (HLF20)

FEATURES:

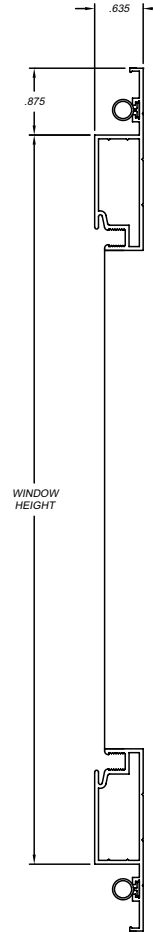
- 7/8" nominal front flange
- 5/8" nominal frame depth
- Glazed with 10-mil clear vinyl
- Outside mount frame
- Spreader bar(s)

OPTIONS:

- Custom sizes with or without deduction
- Glazed with screen mesh
- Trapezoid shape

PERFORMANCE:

- Minimum Lip Frame actual size 5-1/2" x 5-1/2"
- Minimum Trapezoid actual size 5-1/2" x 5-1/2" x 4"
- Maximum Lip Frame actual size 144" x 50" or 124" x 84"
- Maximum Trapezoid actual size 144" x 50" or 124" x 84"



STANDARD LIP FRAME FIXED LITE (LF20)

FEATURES:

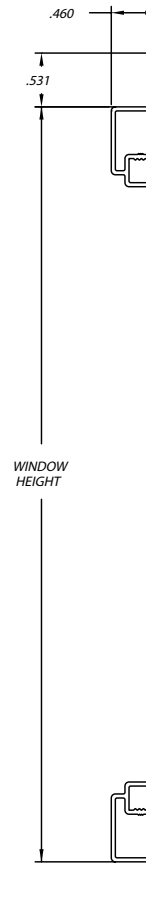
- 1/2" nominal front flange
- 7/16" nominal frame depth
- Glazed with 10-mil clear vinyl
- Foam tape factory applied
- Spreader bar(s)

OPTIONS:

- Custom sizes with or without deduction
- Glazed with screen mesh
- Trapezoid shape

PERFORMANCE:

- Minimum Lip Frame actual size 2-7/8" x 2-7/8"
- Minimum Trapezoid actual size 3" x 5" x 3"
- Maximum Lip Frame actual size 124" x 50-1/2" or 124" x 84"
- Maximum Trapezoid actual size 144" x 50-1/2" or 124" x 84"



REMOVABLE VENT FIXED LITE (RV20)

FEATURES:

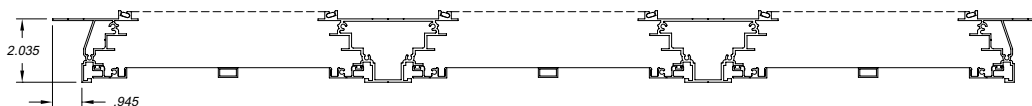
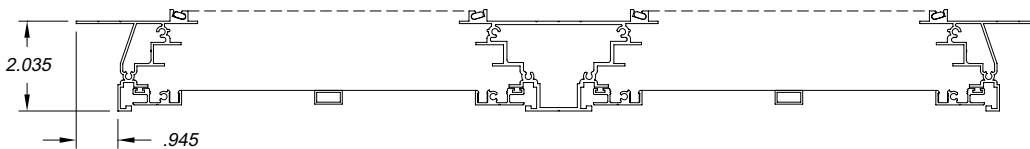
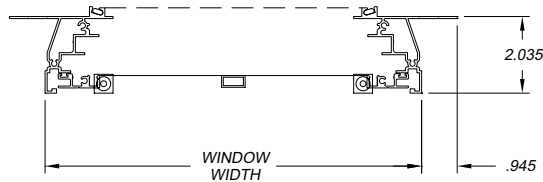
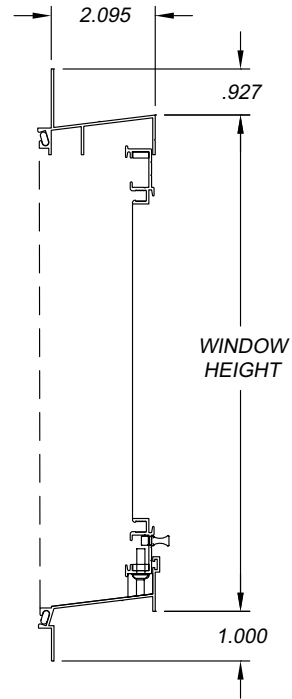
- 1" nominal front flange
- 2" nominal frame depth
- Glazed with 10-mil clear vinyl
- Outside mount frame
- Removable vent
- Spreader bar(s)
- 1814 charcoal screen rolled-in frame

OPTIONS:

- Custom sizes with or without deduction

PERFORMANCE:

- Minimum Single actual size 11-7/8" x 8"
- Minimum Twin actual size 42" x 8"
- Minimum Triple actual size 72" x 8"
- Maximum Single actual size 72" x 32"
- Maximum Twin actual size 108" x 32"
- Maximum Triple actual size 144" x 32"



DOORS

CABANA DOOR (CD90)

FEATURES:

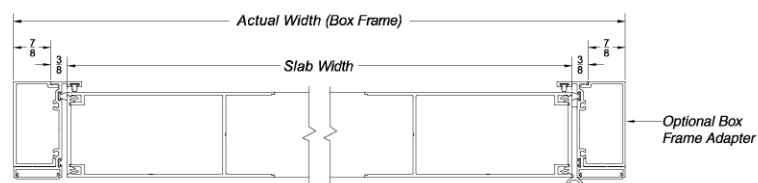
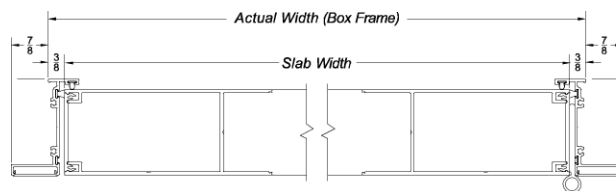
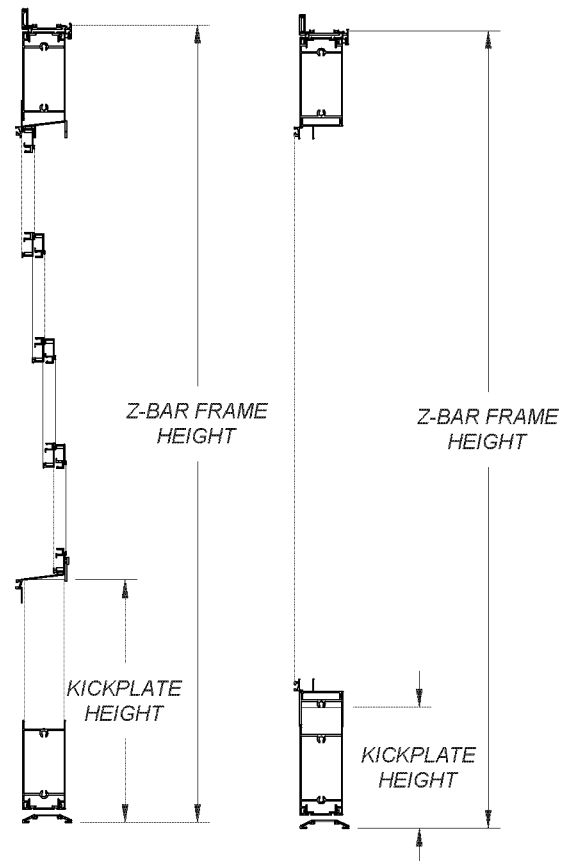
- Vertical 4-Track Style with 14-1/4" kickplate
- Fixed Lite Style with 4-3/4" kickplate
- Traditional Z-bar frame
- 2-1/4" frame depth
- 3/8" saddle threshold
- 2-1/8" bore with 2-3/8" setback
- Handle and deadbolt bore 8" on-center
- Pre-hung
- Glazed with 10-mil clear vinyl
- Outside mount out-swing or in-swing configuration

OPTIONS:

- Nominal or custom sizes
- 1-7/8" or 2" bumper style threshold
- Single or double door configuration
- Lever type handle
- Equal leg frame adapter
- Glazed with screen mesh

PERFORMANCE:

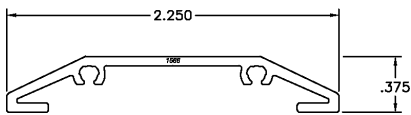
- Minimum Single door with Z-bar frame 22" x 48"
- Minimum Double door with Z-bar frame 48" x 48"
- Maximum Single door with Z-bar frame 44" x 96"
- Maximum Double door with Z-bar frame 88" x 96"



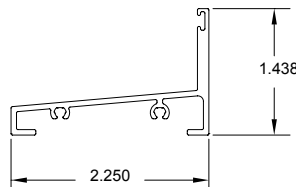
CABANA DOOR (CD90)

THRESHOLDS

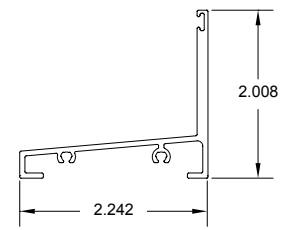
**OUT-SWING OPTIONS:
LOW/SADDLE: 3/8"**



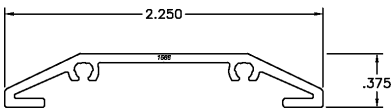
MEDIUM/BUMPER: 1 7/16"



HIGH/BUMPER: 2"



**IN-SWING OPTIONS:
LOW/SADDLE: 3/8"**



NOMINAL DOOR SIZES

| Z-BAR FRAME | | |
|-------------|----------------------------|---------------------------------|
| SIZE CODE | ACTUAL DOOR WIDTH x HEIGHT | FINISHED OPENING WIDTH x HEIGHT |
| 2668 | 30 x 80 | 30 1/4 x 80 1/4 |
| 2868 | 32 x 80 | 32 1/4 x 80 1/4 |
| 3068 | 36 x 80 | 36 1/4 x 80 1/4 |
| 3868 | 44 x 80 | 44 1/4 x 80 1/4 |
| 6068 | 72 x 80 | 72 1/4 x 80 1/4 |
| 7468 | 88 x 80 | 88 1/4 x 80 1/4 |
| 2680 | 30 x 96 | 30 1/4 x 96 1/4 |
| 2880 | 32 x 96 | 32 1/4 x 96 1/4 |
| 3080 | 36 x 96 | 36 1/4 x 96 1/4 |
| 3880 | 44 x 96 | 44 1/4 x 96 1/4 |
| 6080 | 72 x 96 | 72 1/4 x 96 1/4 |
| 7480 | 88 x 96 | 88 1/4 x 96 1/4 |

| BOX FRAME | | |
|-----------|----------------------------|---------------------------------|
| SIZE CODE | ACTUAL DOOR WIDTH x HEIGHT | FINISHED OPENING WIDTH x HEIGHT |
| 2668 | 31 3/4 x 80 7/8 | 32 x 81 1/8 |
| 2868 | 33 3/4 x 80 7/8 | 34 x 81 1/8 |
| 3068 | 37 3/4 x 80 7/8 | 38 x 81 1/8 |
| 3868 | 45 3/4 x 80 7/8 | 46 x 81 1/8 |
| 6068 | 73 3/4 x 80 7/8 | 74 x 81 1/8 |
| 7468 | 89 3/4 x 80 7/8 | 90 x 81 1/8 |
| 2680 | 31 3/4 x 96 7/8 | 32 x 97 1/8 |
| 2880 | 33 3/4 x 96 7/8 | 34 x 97 1/8 |
| 3080 | 37 3/4 x 96 7/8 | 38 x 97 1/8 |
| 3880 | 45 3/4 x 96 7/8 | 46 x 97 1/8 |
| 6080 | 73 3/4 x 96 7/8 | 74 x 97 1/8 |
| 7480 | 89 3/4 x 96 7/8 | 90 x 97 1/8 |



INVENT. BUILD. DELIVER.

A collection of the best brands in windows and doors coming together to invent, build, and deliver the highest-quality and safest products in the fenestration industry.

THE PGT INNOVATIONS FAMILY OF BRANDS

